

Backwater valve *Staufix FKA Komfort*

Installation in the ground plate, from model year 01/2011

Backwater valves

1

Hybrid lifting stations

2

Lifting stations

3

Drains

4

Separators

5

Septic systems

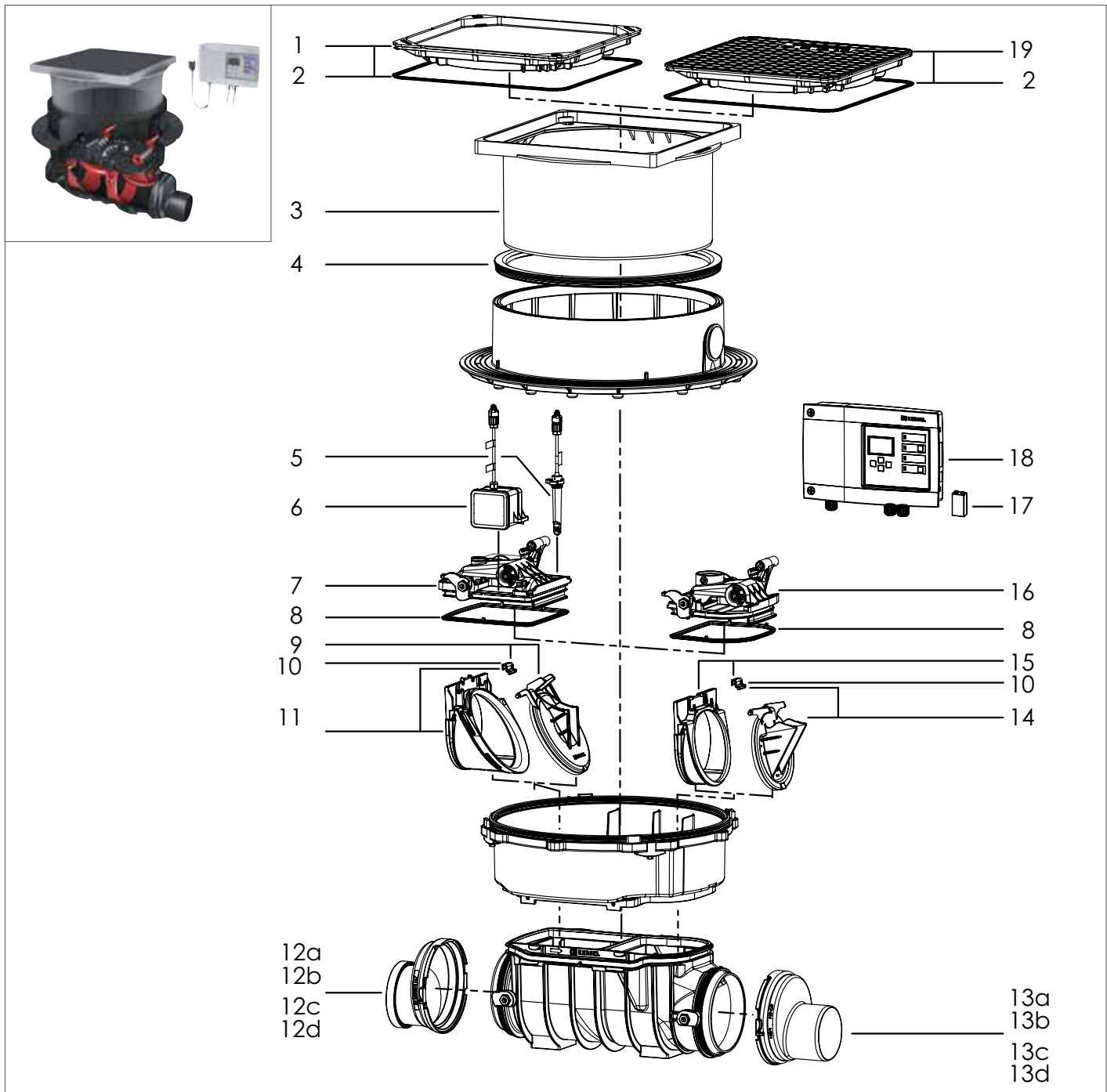
6

Rainwater harvesting

7

Index

8



Pos.	Designation	Article #
1	Cover plate stone grey, can be tiled over, with seal	83052
2	Seal for cover plate	680025
3	Upper section	83061
4	Sealing ring	680026
5	Optical probe with 3 adapters	80888
6	Drive motor complete with 5 m cable	80076
7	Cover Inlet side	80016
8	Seal set I	70318
9	Motor-driven flap with flap stay	80038
10	Flap stay	680101
11	Insert for motor-driven flap with flap stay	80039
12	Muff incl. seal	
12a	Ø 110	83085
12b	Ø 125	83086

Pos.	Designation	Article #
12c	Ø 160	83087
12d	Ø 200	83088
13	Spigot incl. seal	
13a	Ø 110	83081
13b	Ø 125	83082
13c	Ø 160	83083
13d	Ø 200	83084
14	Mechanical flap with flap stay	80033
15	Insert for mech. flap with flap stay	80034
16	Cover Outlet side	80017
17	Battery	680034
18	Control unit	80071
19	Cover plate black with seal	83050