

Backwater valve *Staufix SWA*

Installation in the ground plate, from model year 01/2011

Backwater valves
1

Hybrid lifting stations
2

Lifting stations
3

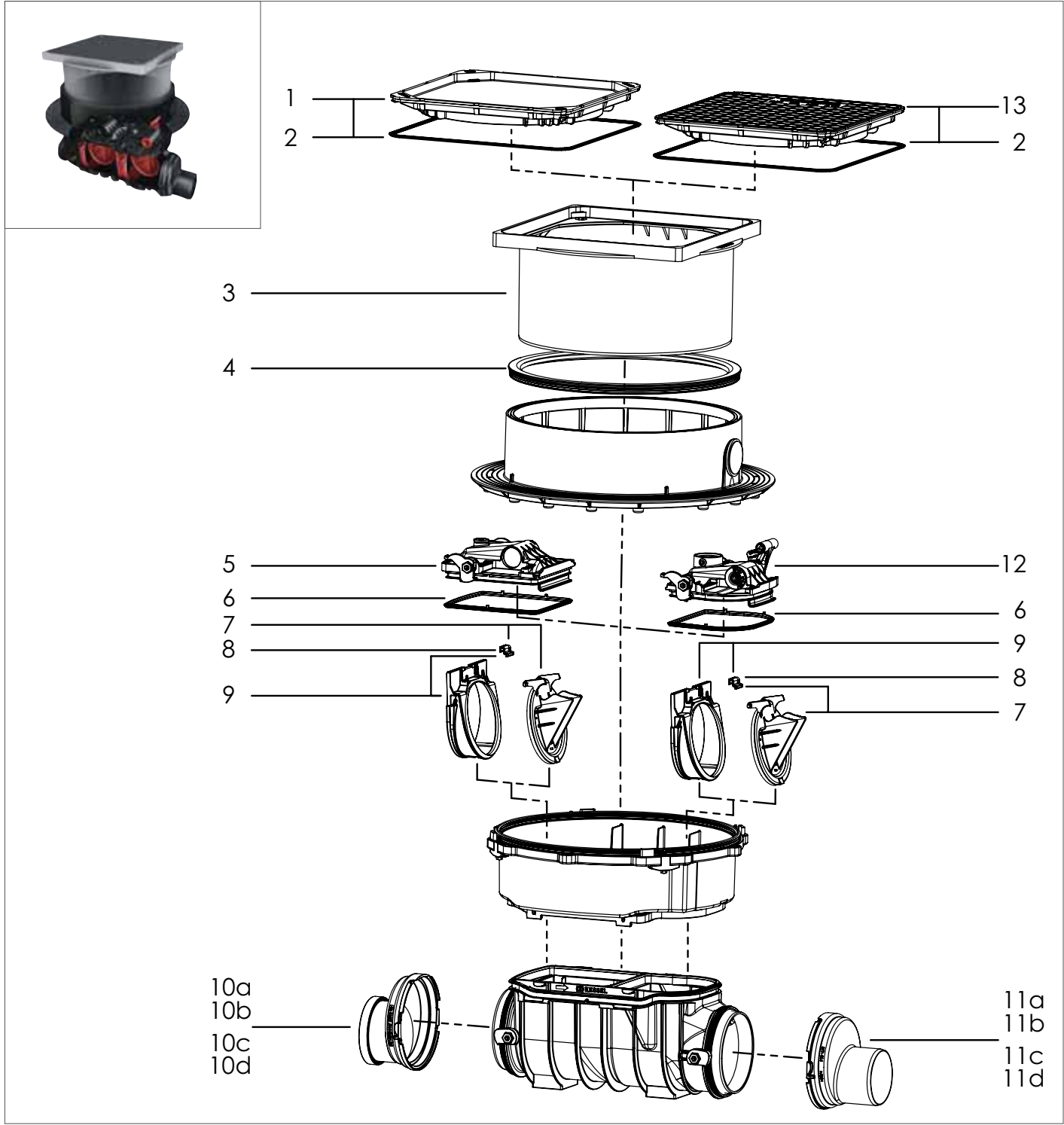
Drains
4

Separators
5

Septic systems
6

Rainwater harvesting
7

Index
8



Pos.	Designation	Article #
1	Cover plate stone grey, can be tiled over, with seal	83052
2	Seal for cover plate	680025
3	Upper section	83061
4	Sealing ring	680026
5	Cover inlet side	80013
6	Seal set I	70318
7	Mechanical flap with flap stay	80 033
8	Flap stay	680101
9	Insert for mech. flap with flap stay	80 034
10	Muff incl. seal	
10a	Ø 110	83085

Pos.	Designation	Article #
10b	Ø 125	83086
10c	Ø 160	83087
10d	Ø 200	83088
11	Spigot incl. seal	
11a	Ø 110	83081
11b	Ø 125	83082
11c	Ø 160	83083
11d	Ø 200	83084
12	Cover outlet side	80014
13	Cover plate black with seal	83050