

**Twin flap backwater valve *Staufix***  
Exposed installation, from model year 04/2005

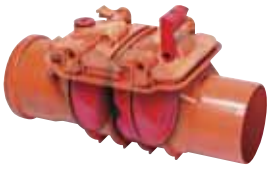
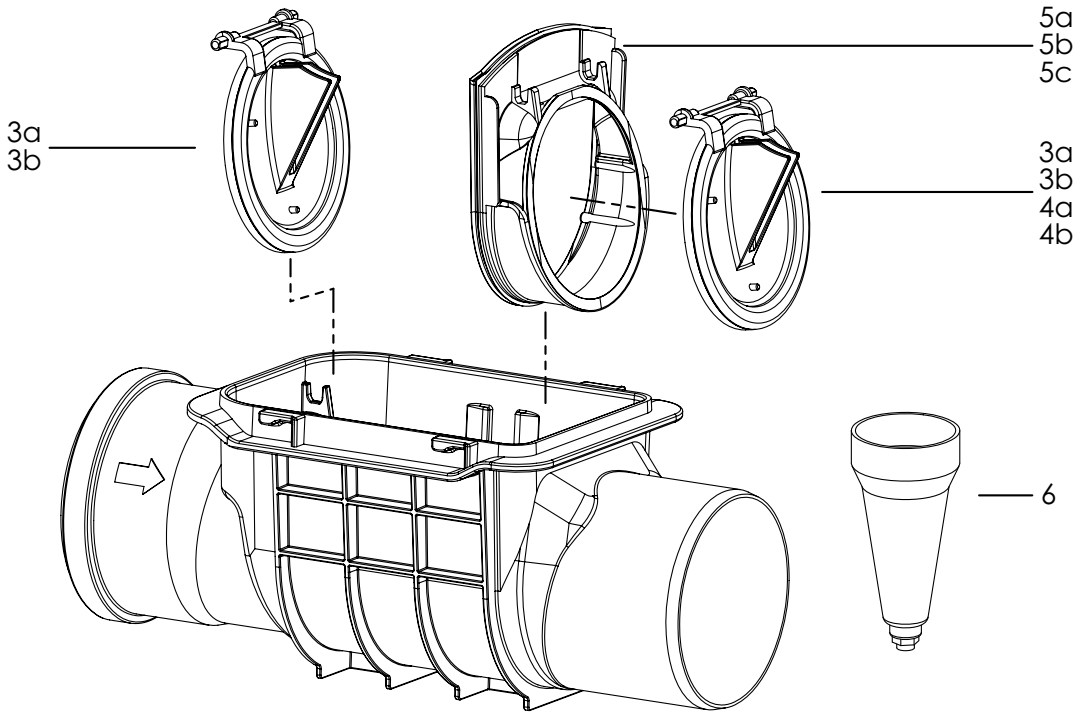
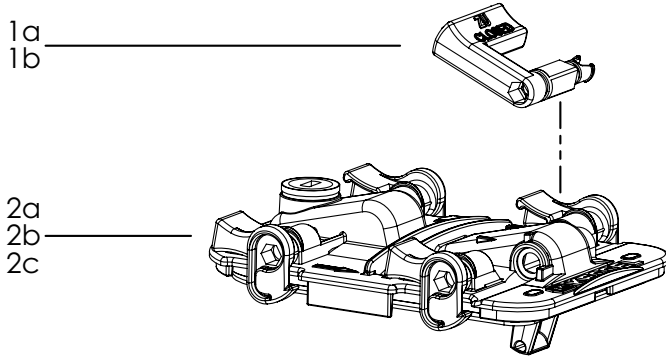


Illustration shows Article # 73100



Pos.	Designation	Article #
1	Emergency valve lever incl. 2 x O-ring	
1a	Ø 110	680063
1b	Ø 125/160	680064
2	Locking cover with emergency valve lever incl. seal	
2a	Ø 110	70261
2b	Ø 125/160	70262
2c	Ø 200	70203
3	Flap	
3a	Ø 110	70231
3b	Ø 125/160	70232

Pos.	Designation	Article #
4	Flap with stainless steel	
4a	Ø 110	70233
4b	Ø 125/160	70234
5	Insert incl. seal	
5a	Ø 110	70241
5b	Ø 125/160	70242
5c	and flap, Ø 200	70205
6	Testing funnel	70214