

Single flap backwater valve *Staufix*

Exposed installation, from model year 04/2005

1 Backwater valves

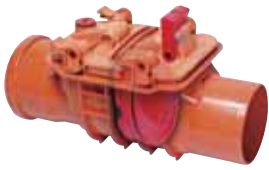
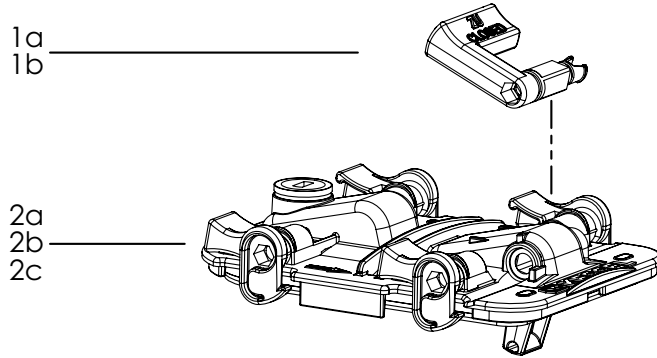
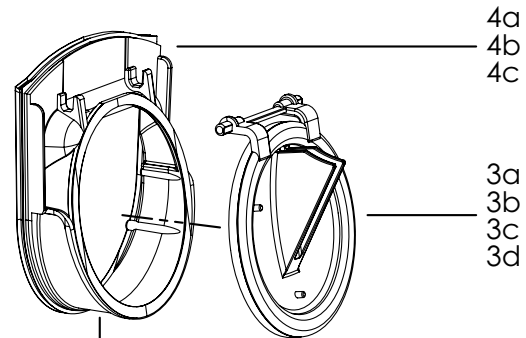


Illustration shows Article # 72100

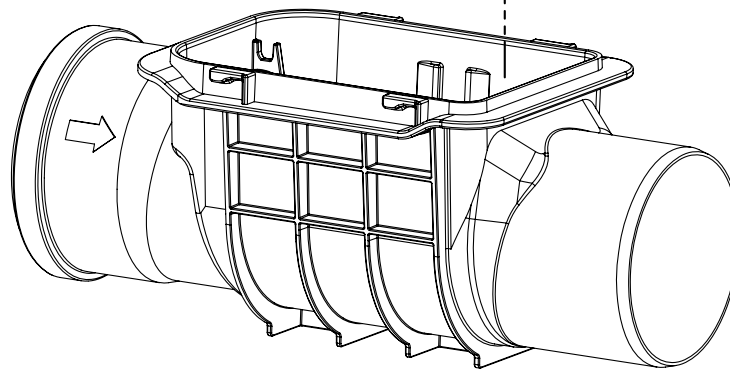
2 Hybrid lifting stations



3 Lifting stations



4 Drains



5 Separators

6 Septic systems

Pos.	Designation	Article #
1	Emergency valve lever incl. 2 x O-ring	
1a	Ø 110	680063
1b	Ø 125/160	680064
2	Locking cover with emergency valve lever incl. seal	
2a	Ø 110	70261
2b	Ø 125/160	70262
2c	Ø 200	70203
3	Flap	
3a	Ø 110	70231
3b	Ø 125/160	70232

Pos.	Designation	Article #
3c	with stainless steel Ø 110	70233
3d	with stainless steel Ø 125/160	70234
4	Insert incl. seal	
4a	Ø 110	70241
4b	Ø 125/160	70242
4c	and flap, Ø 200	70205

7 Rainwater harvesting

8 Index