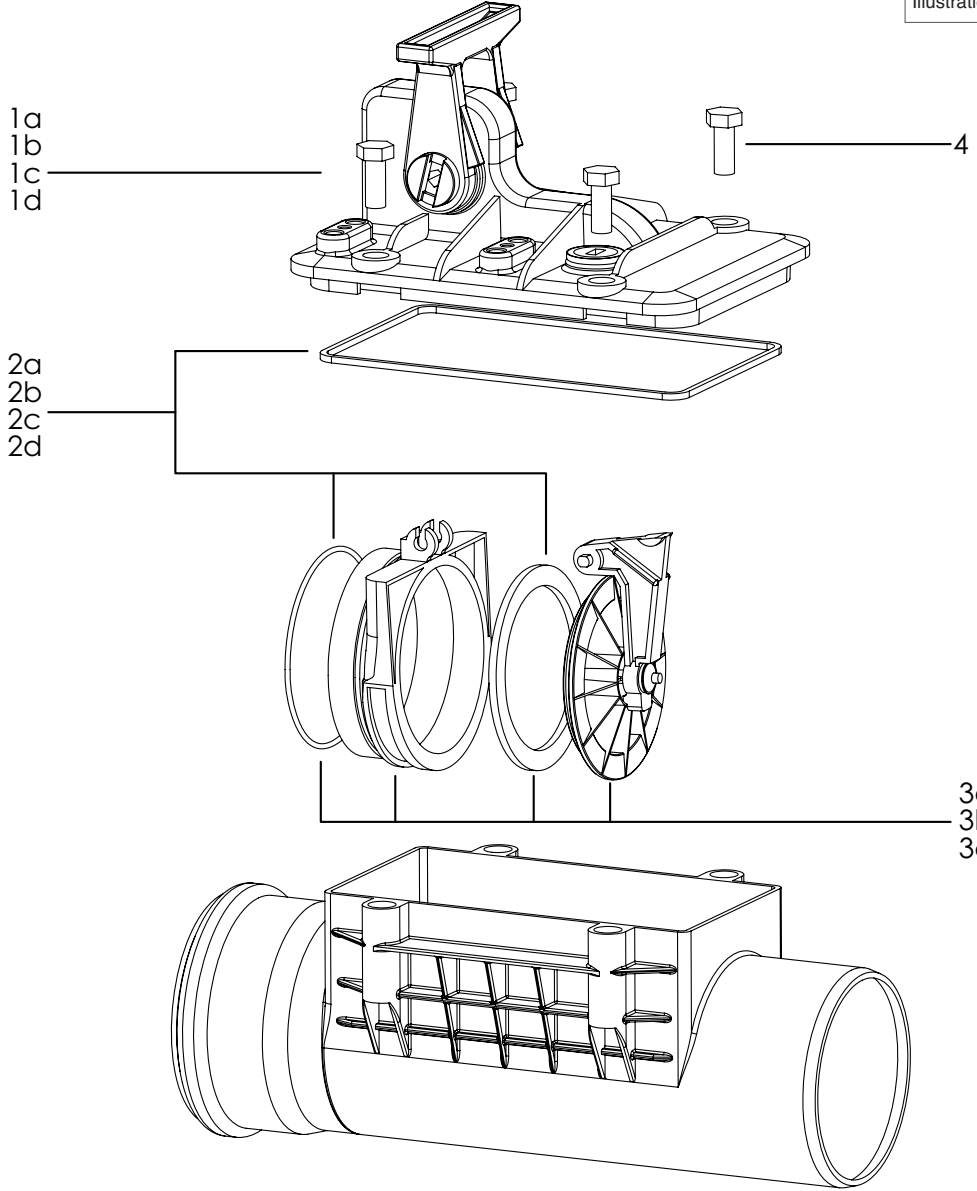


Single flap backwater valve *Staufix*

Installation exposed, up to model year 03/2005



Illustration shows Article # 72100



Pos.	Designation	Article #
1	Locking cover without screws	
1a	Ø 110	70103
1b	Ø 125	70128
1c	Ø 160	70153
1d	Ø 200	70203
2	Seal set	
2a	Ø 110	70115
2b	Ø 125	70116
2c	Ø 160	70117
2d	Ø 200	70118

Pos.	Designation	Article #
3	Expanding pipe with flap and seal	
3a	Ø 110	70104
3b	Ø 125	70129
3c	Ø 160	70154
4	Screw (1 x)	70106