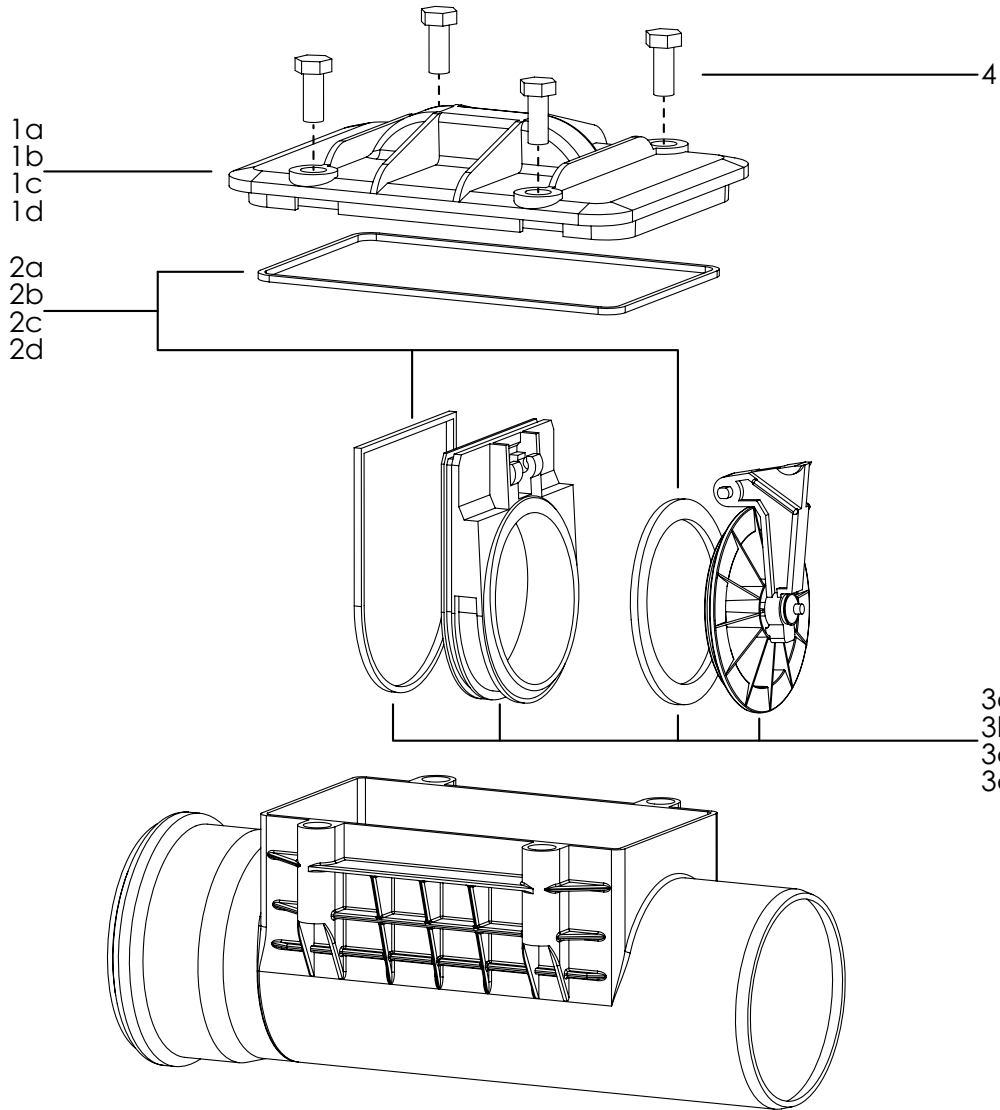




Illustration shows Article # 71100



Pos.	Designation	Article #
1	Locking cover without screws	
1a	Ø 110	70101
1b	Ø 125	70126
1c	Ø 160	70151
1d	Ø 200	70201
2	Seal set	
2a	Ø 110	70115
2b	Ø 125	70116
2c	Ø 160	70117
2d	Ø 200	70118

Pos.	Designation	Article #
3	Insert with flap and seal	
3a	Ø 110	70105
3b	Ø 125	70130
3c	Ø 160	70155
3d	Ø 200	70205
4	Screw (1 x)	70106