

**Drain body/cleaning pipe *Staufix***  
 Exposed installation, from model year 04/2005

Backwater valves  
1



Illustration shows Article # 70100

Hybrid lifting stations  
2

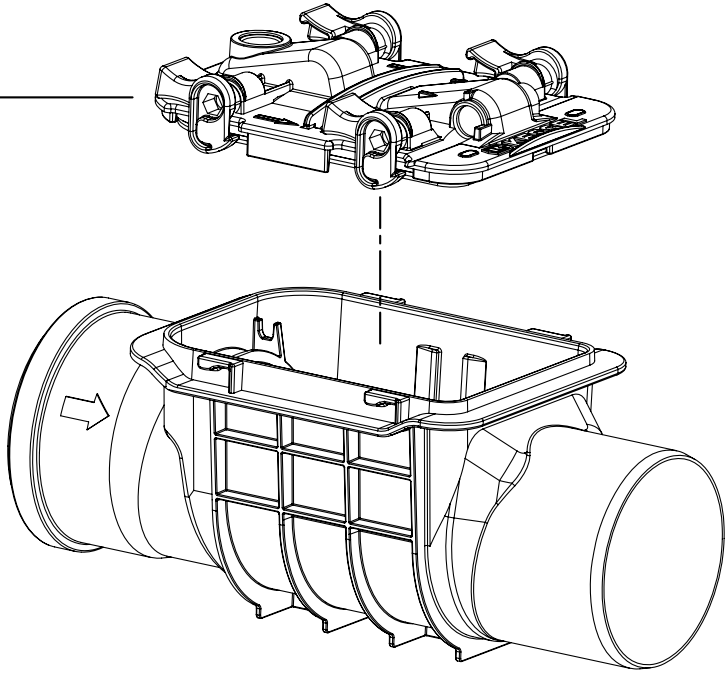
Lifting stations  
3

Drains  
4

Separators  
5

Septic systems  
6

1a  
1b  
1c



Rainwater harvesting  
7

Index  
8

Pos.	Designation	Article #
1	Locking cover incl. seal	
1a	Ø 110	70251
1b	Ø 125/160	70252
1c	Ø 200	70201

Pos.	Designation	Article #