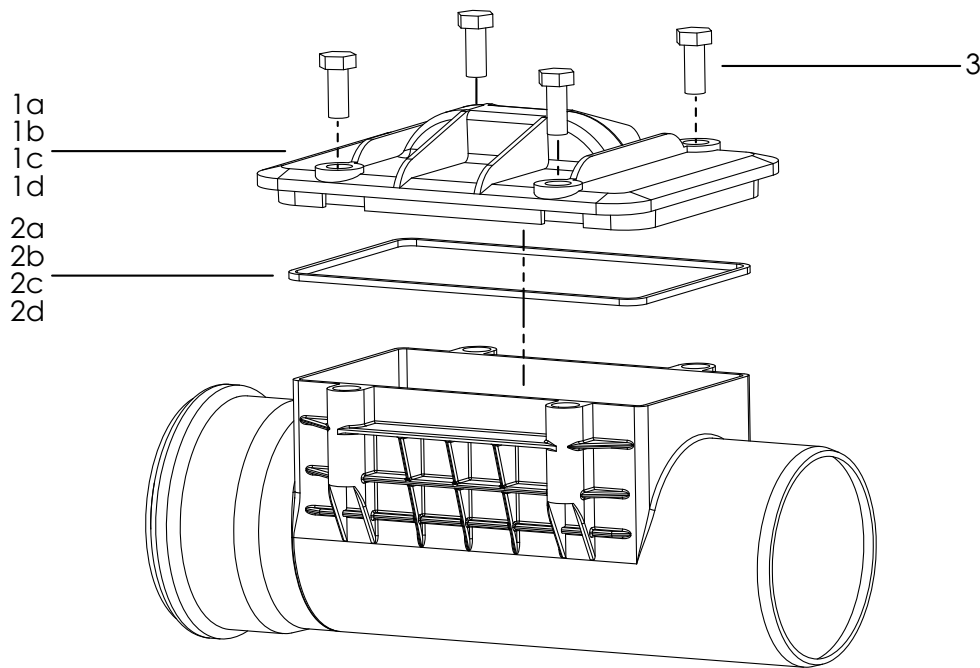




Illustration shows Article # 70100



Backwater valves

1

Hybrid lifting stations

2

Lifting stations

3

Drains

4

Separators

5

Septic systems

6

Rainwater harvesting

7

Index

8

Pos.	Designation	Article #
1	Locking cover without screws	
1a	Ø 110	70101
1b	Ø 125	70126
1c	Ø 160	70151
1d	Ø 200	70201
2	Seal set	
2a	Ø 110	70115
2b	Ø 125	70116
2c	Ø 160	70117
2d	Ø 200	70118

Pos.	Designation	Article #
3	Screw (1 x)	70106