

# Hybrid lifting station *Ecolift*

## Ground plate installation

Backwater valves

1

Hybrid lifting stations

2

Lifting stations

3

Drains

4

Separators

5

Septic systems

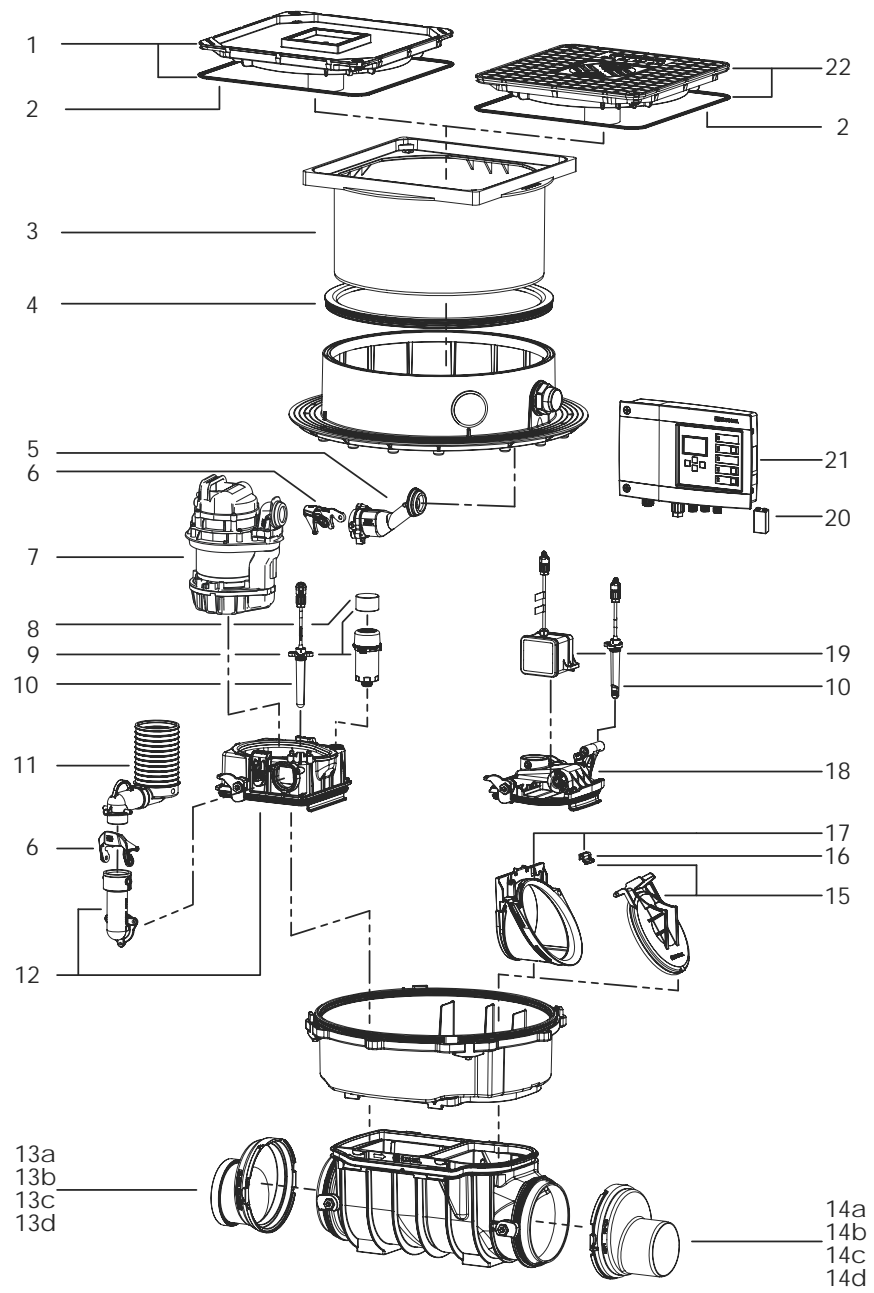
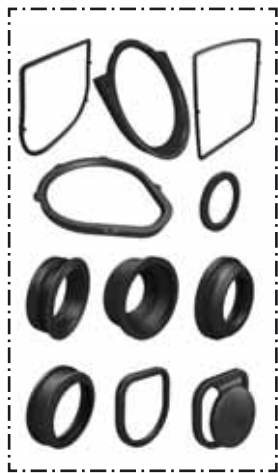
6

Rainwater harvesting

7

Index

8



Pos.	Description	Article #
1	Cover plate stone grey, can be tiled over with drain and seal	83045
2	Seal for cover plate	680025
3	Upper section	83061
4	Sealing ring	680026
5	pressure connection	680105
6	Locking lever	680018
7	Pump complete with 5 m cable	28351
8	Activated carbon filter (5 x)	28061
9	Ventilation incl. activated carbon filter	28060
10	Optical probe with 3 adapters	80888
11	Inlet connection incl. seal	680215
12	Pump cover inlet side with drain	28054
13	Muff incl. seal	
13a	Ø 110	83085
13b	Ø 125	83086

Pos.	Description	Article #
13c	Ø 160	83087
13d	Ø 200	83088
14	Pointed end incl. seal	
14a	Ø 110	83081
14b	Ø 125	83082
14c	Ø 160	83083
14d	Ø 200	83084
15	Motor-driven flap with clip	80038
16	Flap stay	680101
17	Insertion part for motor-driven flap with clip	80039
18	Pump cover outlet side	21056
19	Drive motor complete with 5 m cable	80076
20	Battery	680034
21	Control unit	21071
22	Cover plate black with drain and seal	83046
23	Seal set II	70319