

Lifting station *Aqualift F XL*, fittings made of cast iron

Above-ground installation, from model year 04/2013

Information

1 Backwater valves

2 Hybrid lifting stations

3 Lifting stations

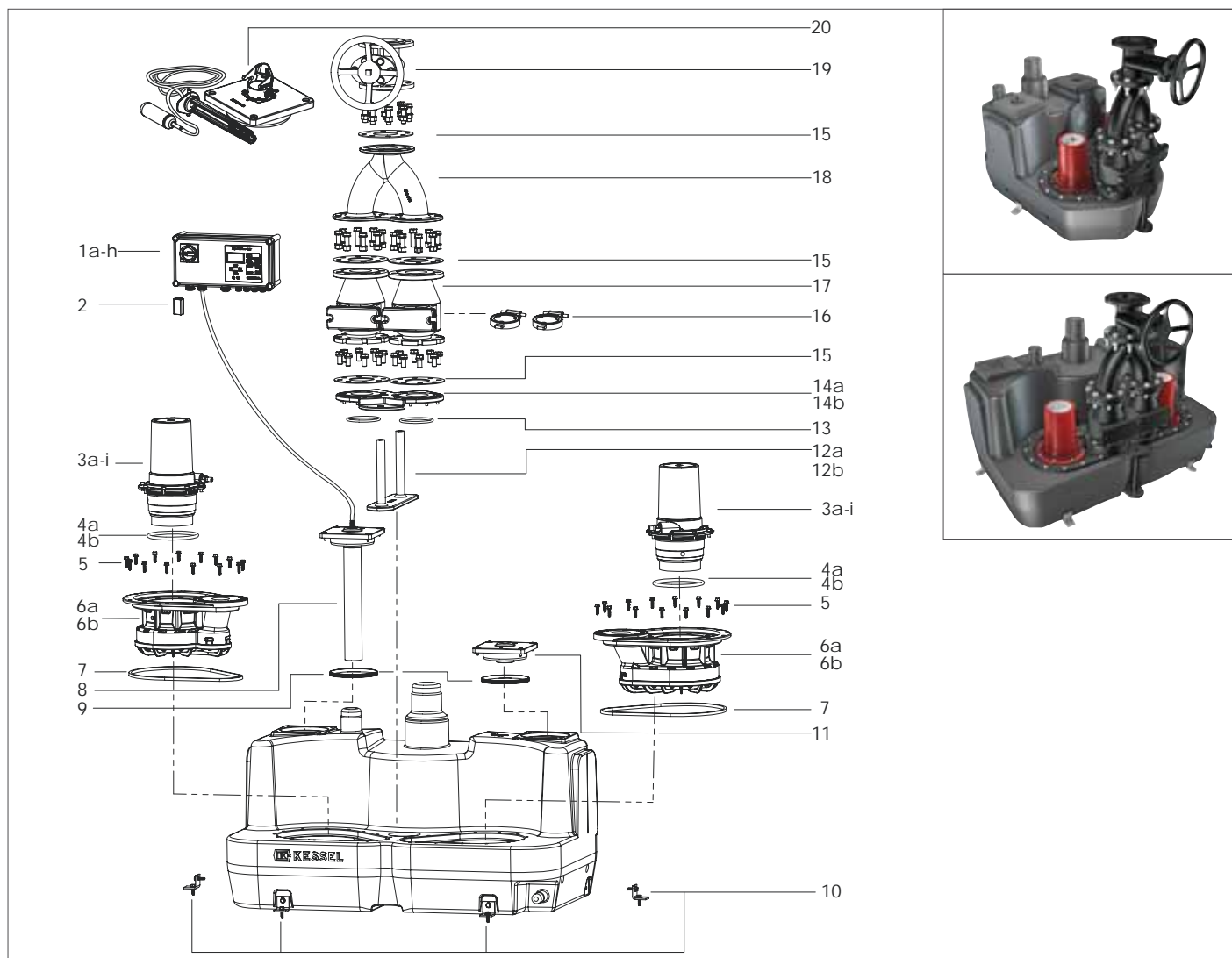
4 Drains

5 Separators

6 Septic systems

7 Rainwater harvesting

8 Index



Pos.	Description	Article #
1	Control unit	
1a	230 V Mono Comfort	28731
1b	230 V Duo Comfort	28746
1c	400 V Mono for SPF 1500	28755
1d	400 V Mono for SPF 3000	28756
1e	400 V Mono for SPF 4500 and 5500	28781
1f	400 V Duo for SPF 1500	28757
1g	400 V Duo for SPF 3000	28758
1h	400 V Duo for SPF 4500 and 5500	28783
2	Battery	680034
3	Motor	
3a	230 V for SPF 1400 S3	28029
3b	230 V for SPF 1400 S1	28066
3c	400 V for SPF 1500 S3	28028
3d	400 V for SPF 1500 S1	28065
3e	400 V for SPF 3000 S3	28027
3f	400 V for SPF 3000 S1	28064
3g	400 V for SPF 4500 S3	28026
3h	400 V for SPF 4500 S1	28063
3i	400 V for SPF 5500 S3	28025
4	Flange seal	
4a	for SPF 1400-4500	680052
4b	for SPF 5500	680120

Pos.	Description	Article #
5	Screws (14 x)	680047
6	Pump flange	
6a	for SPF 1400-4500	680050
6b	for SPF 5500	on request
7	Pump flange seal	680045
8	Submersible pipe with 5 m hose	28050
9	Seal for cleaning opening	680003
10	Attachment bracket with screws (2 x)	680046
11	Access cover	680044
12	Retainer	
12a	for 200 l tank	on request
12b	for 300/450 l tank	on request
13	O-ring	680002
14	Carrier plate	
14a	for 200 l tank	on request
14b	for 300/450 l tank	on request
15	Flat seal Ø 80	28043
16	Backwater flap	28074
17	Backwater preventer	28021
18	Y pipe	28042
19	Gate valve	28041
20	Optional alarm float switch	28014