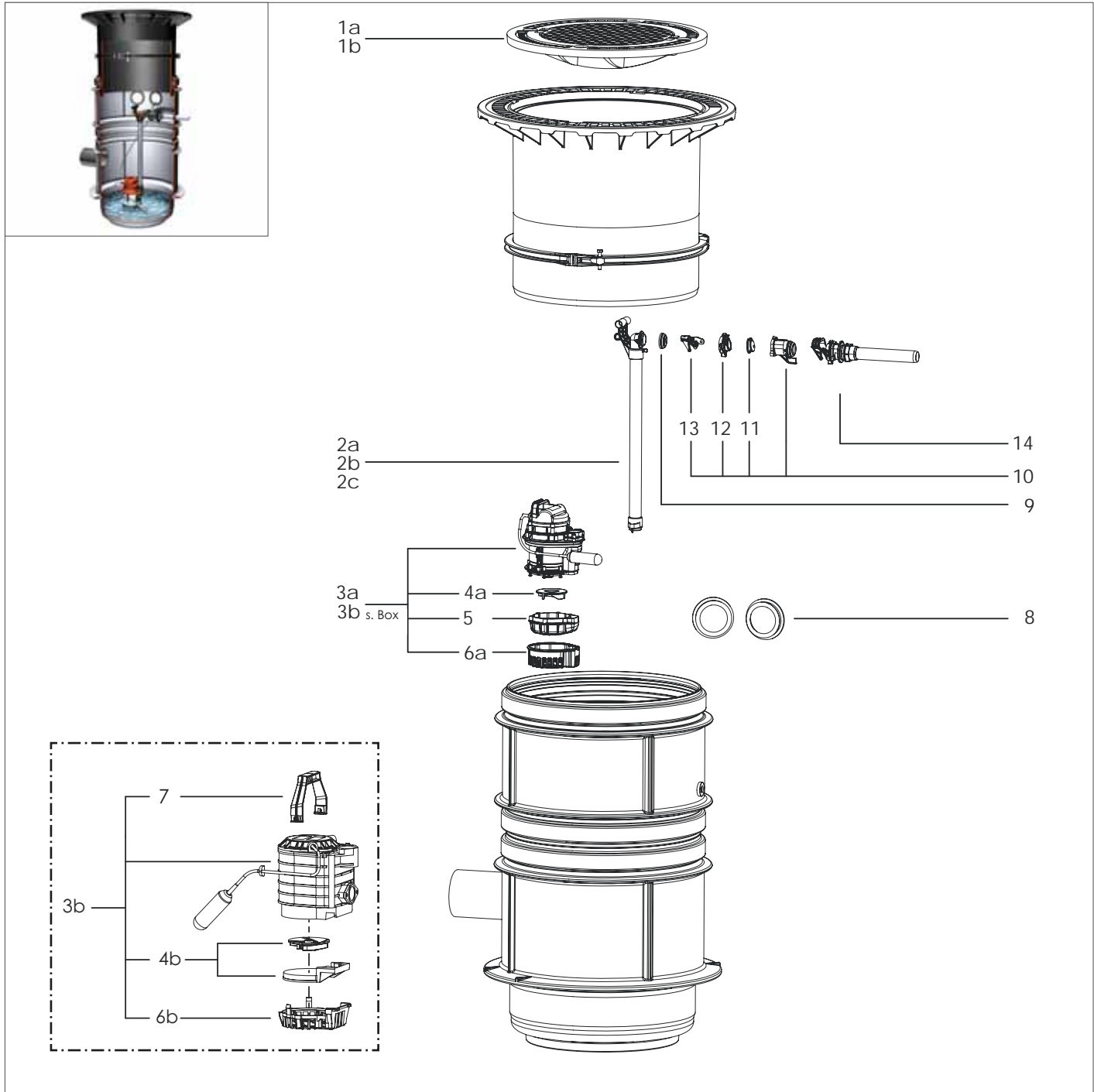


Pumping station *Aqualift S Mono* in the chamber system LW 600 with float switch Installation in the ground



Pos.	Description	Article #
1	Cover	
1a	Class B	860131
1b	Class D	860136
2	Riser	
2a	KTP 500/1000 (T1 = 800 - 1250 mm)	680112
2b	KTP 500/1000 (T2 = 1300 - 1750 mm)	680113
2c	KTP 500/1000 (T3 = 1800 - 2250 mm)	680114
3	Pump	
3a	KTP 500	28810
3b	KTP 1000	28860
4	Impeller	
4a	for KTP 1000 without spiral housing	680035
4b	for KTP 500 incl. spiral housing	28038

Pos.	Description	Article #
5	Spiral housing for KTP 1000	680118
6	Intake cage	
6a	for KTP 1000	680106
6b	for KTP 500	680004
7	Pump handle	680007
8	Pipe duct seal Ø 110	850117
9	Seal	680067
10	Flap stay with backwater flap	680111
11	Backwater flap	680066
12	Coupling element	680065
13	Locking lever	680018
14	Threaded connection Mono	680109