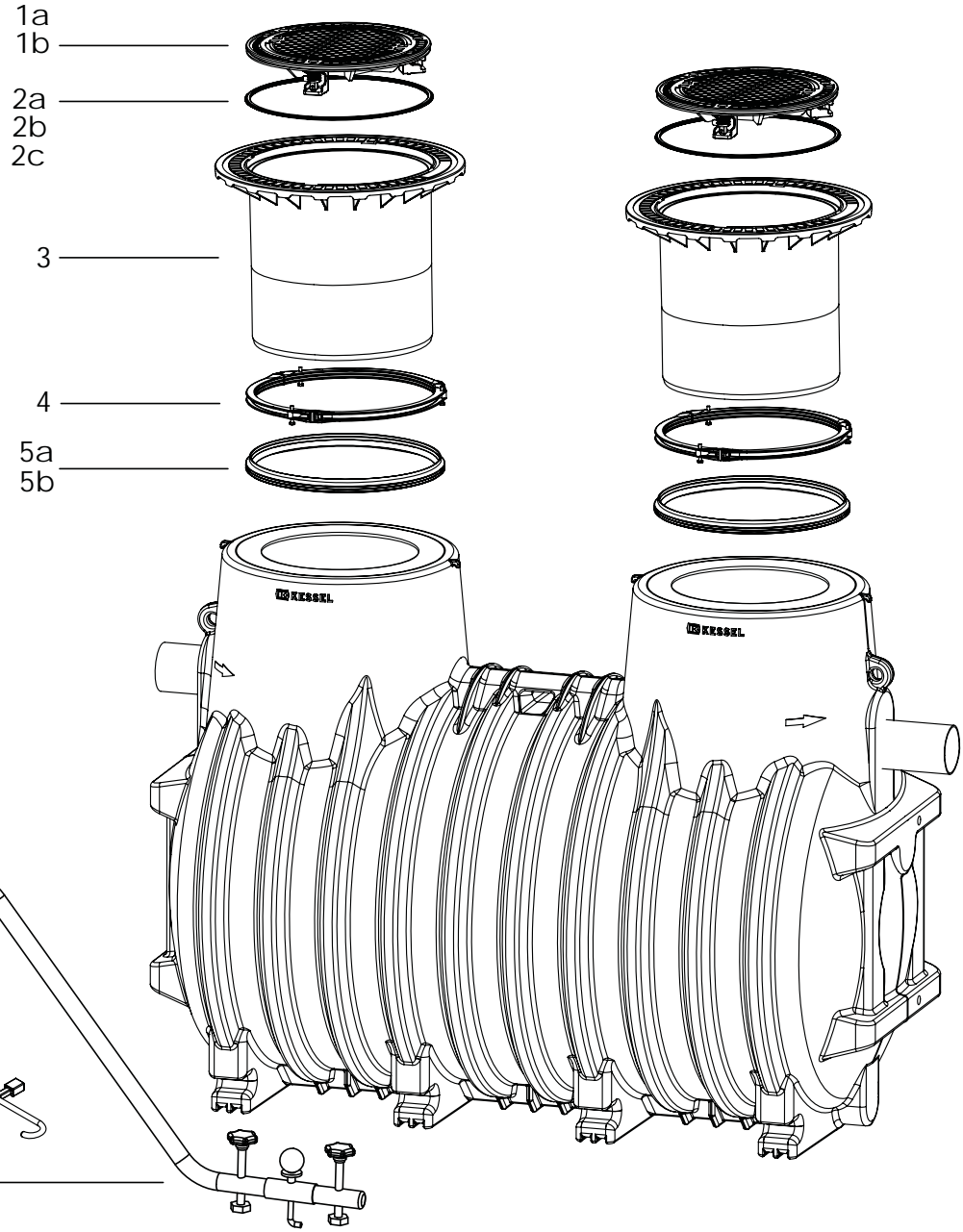
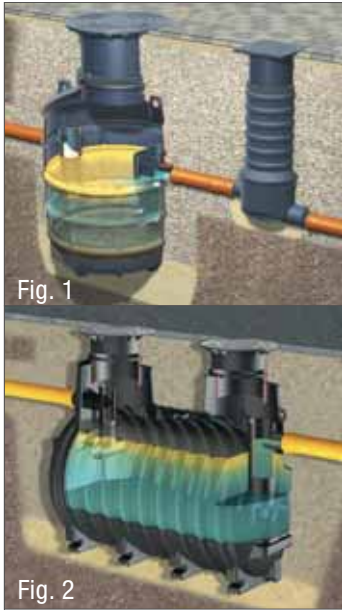


Grease separator Euro "G", NS 1 - 35

For underground installation



Pos.	Designation	Art. no.
1	Cover plate made of cast iron, resistant to surface water, incl. seal	
1a	Class AB	860119
1b	Class D	916803
2	Lip seal for cover	
2a	for screw-type chamber cover, up to model year 2003	917101
2b	for locked chamber cover, from model year 2004	917201
2c	for lockable chamber cover, from model year 2010	680323
3	Upper section, resistant to surface water	680324

Pos.	Designation	Art. no.
4	Clamping ring for upper section	680276
5	Lip seal	
5a	in the inspection chamber (Fig. 1) current version up to NS 4: in the cistern (Fig. 2) NS 7 - 35, up to model year 12/14	860116
5b	for cistern (Fig. 2) NS 7 35, from model year 01/15	860104
6a	Removal mechanism	680278
6b	Chamber cover lifting tool Goliath	917112