



Aqualift F XL

For minimum installation depth

Illustration and dimensioned drawing

Article description

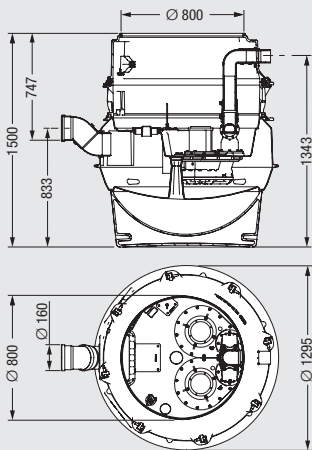
Voltage

Pump SPF

Article #



Dry installation



Approval pending

Engineering systems base
 with welded on chamber ring and tapered section \varnothing 800 mm for minimum installation depth
Aqualift F XL Mono / Duo pumping station
for wastewater with or without sewage

Tank volume approx. 335 liter
Pumping volume approx. 160 liter
For installation in a concrete slab or outdoor underground installation in combination with an upper section
Handles groundwater depth up to 3000 mm

Inlet \varnothing 160 mm / pressure pipe connection \varnothing 90 mm

- 1 Mono version** with one SPF pump with **Comfort control unit** including backflow preventer and closure valve on pressure pipe side
- 2 Duo version** with two SPF pumps with **Comfort control unit** including backflow preventer and closure valve on pressure pipe side

1	230 V	1400-S3	874 20 12
	400 V	1500-S3	874 20 13
2	400 V	3000-S3	874 20 14
	400 V	4500-S3	874 20 15
	230 V	1400-S1	874 20 20
	400 V	1500-S1	874 20 21
	400 V	3000-S1	874 20 22
	400 V	4500-S1	874 20 23

10 m cable length
Welded PE pipe is to be used for the pressure pipe
See below for upper sections / covers required
Cable piping gasket set see page 133

Illustration

Article description

Version

Article #

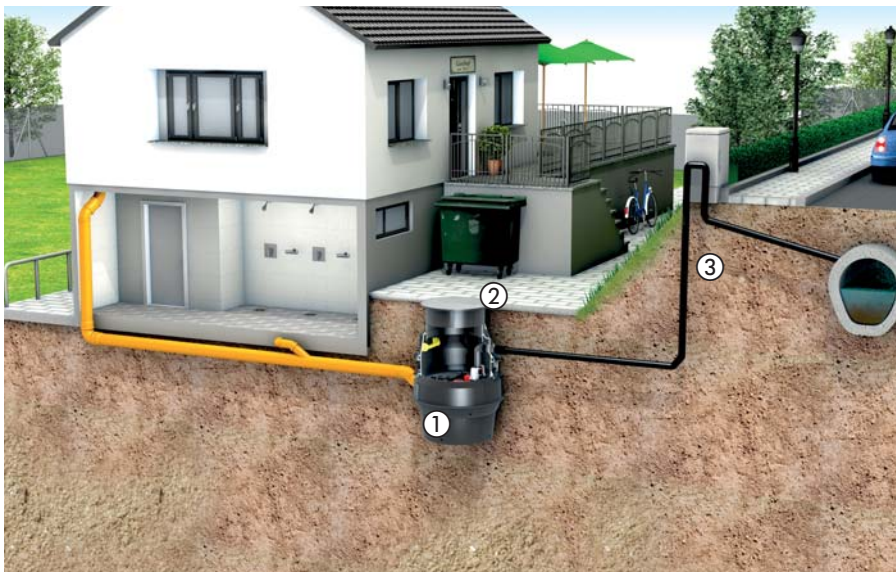


- To be ordered separately:**
Upper section \varnothing 800 made of polymer, with covers:
- made of stainless steel, square, class A/L 15
 - 1 - tileable D: min. 65 - max. 314 mm
 - 2 - tileable D: min. 282 - max. 531 mm
 - 3 - stainless steel cover D: min. 50 - max. 299 mm
 - 4 - stainless steel cover anti-slip D: min. 267 - max. 516 mm
 - made of stainless steel, square
 - 5 class B D: min. 274 - max. 523 mm
 - 6 class D D: min. 274 - max. 523 mm
 - made of stainless steel, round
 - 7 class K 3 D: min. 65 - max. 314 mm

1	without waterproof flange	874 01 75
	with waterproof flange	874 01 76
3	without waterproof flange	874 01 77
	with waterproof flange	874 01 78
5	without waterproof flange	874 01 79
	without waterproof flange	874 01 80
7		874 01 81

Pumping stations for wastewater with or without sewage

Underground installation outside buildings



- ① Pumping station *Aqualift F XL* ③ Pressure pipe
② Engineering systems chamber

Aqualift F XL handles large quantities of wastewater and is thus suitable not only for the classical application case of residential buildings, but also for commercial and industrial applications. The pumping station is available as a Mono or Duo station for wastewater with or without sewage. The tank volume is 335 liters, the maximum pumping volume is approx. 160 liters. *Aqualift F XL* is equipped with pneumatic level measurement and an alarm sensor. The pumping station is suitable for installation in the ground or in concrete floors. The engineering chamber is suitable for installation in groundwater up to 3000 mm. It is made up of modular chamber rings which are available in heights of 250 mm and 500 mm.

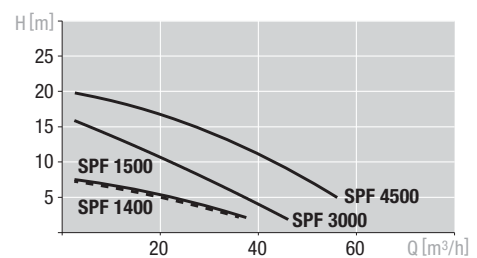
Professional advantages

- Control units with self-diagnosis system SDS for monitoring pump and battery buffering with monthly self-test. Comfort version with multi-line display for operating state and maintenance instruction as well as user-friendly menu guidance in six languages.
- Pneumatic level measurement and an alarm sensor for double safety
- With inlet 2 x 45° elbow Ø 160
- 2 additional pre-scored areas Ø 50 x Ø 200
- 100 % airtight screwed cleaning opening
- Tank floor resistant to groundwater depths up to 3000 mm
- Fitting with integrated backwater preventer and aeration device for simple bleeding of the pressure pipe
- Closure valve with safety hoop to prevent unintentional closing
- Pumps (Mono/Duo) in different capacity classes
- High pumping volume approx. 160 litres

Pump type:

- | | |
|--|--|
| <input type="checkbox"/> SPF 1400-S3 50 % | <input type="checkbox"/> SPF 3000-S3 50 % |
| <input type="checkbox"/> SPF 1400-S1 for continuous duty (e.g. rainwater) | <input type="checkbox"/> SPF 3000-S1 for continuous duty (e.g. rainwater) |
| Pumping capacity: max. 38 m ³ /h | Pumping capacity: max. 47 m ³ /h |
| Pumping height: max. 7 m | Pumping height: max. 16 m |
| <input type="checkbox"/> SPF 1500-S3 50 % | <input type="checkbox"/> SPF 4500-S3 50 % |
| <input type="checkbox"/> SPF 1500-S1 for continuous duty (e.g. rainwater) | <input type="checkbox"/> SPF 4500-S1 for continuous duty (e.g. rainwater) |
| Pumping capacity: max. 40 m ³ /h | Pumping capacity: max. 55 m ³ /h |
| Pumping height: max. 8 m | Pumping height: max. 20 m |

Performance Diagram



SmartSelect simply makes planning easier - calculation tool for lifting stations at smartselect.kessel.com

