



## Aqualift F XL

For installation depth up to 5 m

Illustration and dimensioned drawing

Article description

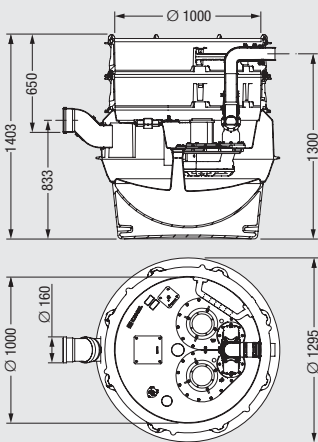
Voltage

Pump SPF

Article #



**Dry  
installation**



Approval pending

**Engineering systems base**  
 with welded on chamber ring  
 for installation depth up to 5 m  
**Aqualift F XL Mono / Duo pumping station**  
 for wastewater with or without sewage

**Tank volume approx. 335 liter**  
**Pumping volume approx. 160 liter**  
**For installation in a concrete slab and for outdoor underground installation in combination with system chamber**  
**Handles groundwater depth up to 3000 mm**

Inlet  $\varnothing$  160 / discharge outlet  $\varnothing$  90 mm

- 1 Mono version with one SPF pump with Comfort control unit**  
 including backflow preventer closure valve on pressure pipe side
- 2 Duo version with two SPF pumps with Comfort control unit**  
 including backflow preventer and closure valve on pressure pipe side

1	230 V	1400-S3	<b>874 20 00</b>
	400 V	1500-S3	<b>874 20 01</b>
	400 V	3000-S3	<b>874 20 02</b>
	400 V	4500-S3	<b>874 20 03</b>
2	230 V	1400-S3	<b>874 20 04</b>
	400 V	1500-S3	<b>874 20 05</b>
	400 V	3000-S3	<b>874 20 06</b>
	400 V	4500-S3	<b>874 20 07</b>
	230 V	1400-S1	<b>874 20 08</b>
	400 V	1500-S1	<b>874 20 09</b>
	400 V	3000-S1	<b>874 20 10</b>
	400 V	4500-S1	<b>874 20 11</b>

10 m cable length  
 Welded PE pipe is to be used for the pressure pipe

**See below for details of system chamber required**

**Cable piping gasket set see page 133**

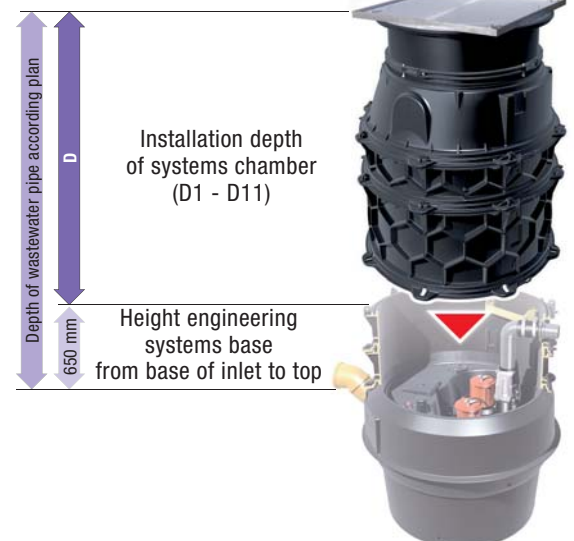
## Underground installation

**To be ordered separately:**

**System chambers**

- for installation in the ground  
 (For order items see page 130-131)
- for installation in a concrete slab  
 (For order items see page 131)

**Approval Z-42.1-527**

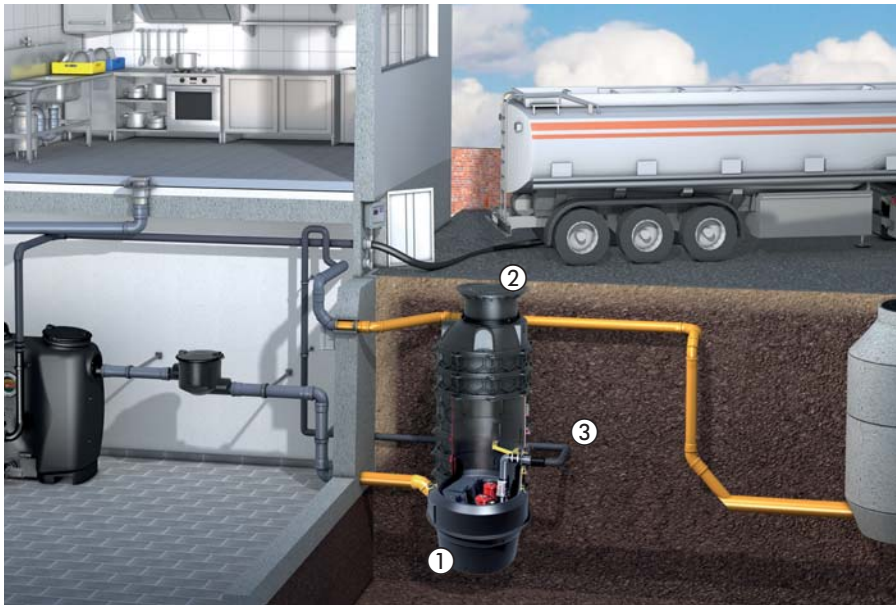


**SmartSelect** simply makes planning easier - calculation tool for lifting stations at [smartselect.kessel.com](http://smartselect.kessel.com)



# Pumping stations for wastewater with or without sewage

## Underground installation outside buildings



- ① Pumping station  
② Engineering systems chamber  
③ Pressure pipe

*Aqualift F XL* handles large quantities of wastewater and is thus suitable not only for the classical application case of residential buildings, but also for commercial and industrial applications. The pumping station is available as a Mono or Duo station for wastewater with or without sewage. The tank volume is 335 liters, the maximum pumping volume is approx. 160 liters. *Aqualift F XL* is equipped with pneumatic level measurement and an alarm sensor. The pumping station is suitable for installation in the ground or in concrete floors. The engineering chamber is suitable for installation in groundwater up to 3000 mm. It is made up of modular chamber rings which are available in heights of 250 mm and 500 mm.

## Professional advantages

- Control units with self-diagnosis system SDS for monitoring pump and battery buffering with monthly self-test. Comfort version with multi-line display for operating state and maintenance instruction as well as user-friendly menu guidance in six languages.
- Pneumatic level measurement and an alarm sensor for double safety
- With inlet 2 x 45° elbow Ø 160
- 2 additional pre-scored areas Ø 50 x Ø 200
- 100 % airtight screwed cleaning opening
- Tank floor resistant to groundwater depths up to 3000 mm
- Fitting with integrated backwater preventer and aeration device for simple bleeding of the pressure pipe
- Closure valve with safety hoop to prevent unintentional closing
- Pumps (Mono/Duo) in different capacity classes
- High pumping volume approx. 160 litres

### Pump type:

- SPF 1400-S3** 50 %  
 **SPF 1400-S1** for continuous duty (e.g. rainwater)

Pumping capacity: max. 38 m<sup>3</sup>/h  
Pumping height: max. 7 m

- SPF 1500-S3** 50 %  
 **SPF 1500-S1** for continuous duty (e.g. rainwater)

Pumping capacity: max. 40 m<sup>3</sup>/h  
Pumping height: max. 8 m

- SPF 3000-S3** 50 %  
 **SPF 3000-S1** for continuous duty (e.g. rainwater)

Pumping capacity: max. 47 m<sup>3</sup>/h  
Pumping height: max. 16 m

- SPF 4500-S3** 50 %  
 **SPF 4500-S1** for continuous duty (e.g. rainwater)

Pumping capacity: max. 55 m<sup>3</sup>/h  
Pumping height: max. 20 m

### Performance Diagram

