



Aqualift S XL

Illustration and dimensioned drawing

Article description

Pump

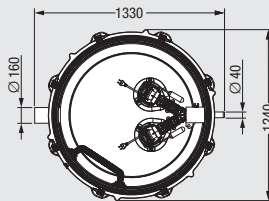
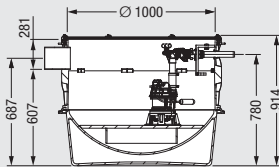
Voltage

Pumping-
volume

Article #

**Wet
installation**

NEW



Engineering systems base, wet installation

with welded on chamber ring
Aqualift S XL Mono / Duo pumping station

for wastewater without sewage

Tank volume approx. 680 liters

Pumping volume approx. 100 liters

**For installation in a concrete slab and
for outdoor underground installation in
combination with system chamber**

Handles groundwater depth up to 3000 mm

Inlet \varnothing 160 mm /
pressure pipe connection \varnothing 40 mm.

**1 Mono version with float switch,
with one pump, 230 V**

1 KTP 500-S1
GTF 1200-S3

230 V
230 V

90 liters
100 liters

874 30 04
874 30 09

**2 Mono version with Comfort control unit,
with one pump, 230 V,
with pressure sensor**

2 KTP 500-S1
GTF 1200-S3

230 V
230 V

90 liters
100 liters

874 30 05
874 30 10

**3 Duo version with Comfort control unit,
with two pumps, 230 V,
with pressure sensor
including backflow preventer and
closure valves on pressure pipe side**

3 KTP 500-S1
GTF 1200-S3

230 V
230 V

90 liters
100 liters

874 30 07
874 30 12

10 m cable length (30 m on request)

Accessories: see page 132-133

Necessary system chambers:
see page 130-131

Underground installation

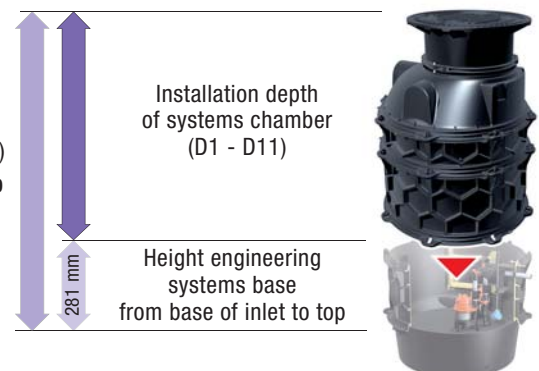
To be ordered separately:

**System chambers
Including upper sections
and covers**

for installation in the ground
(For order items see page 130-131)

for installation in a concrete slab
(For order items see page 131)

Approval Z-42.1-527



SmartSelect simply makes planning
easier - calculation tool for lifting
stations at smartselect.kessel.com

