

Grease separators for free-standing installation

Euro Auto Mix & Pump (PV+S)

NS 15 - 30

NEW



Illustration shows nominal sizes NS 20 - 30 (NS 15 with single pump)

Certification: Z-54.1-473

Delivery:

System completely assembled.

Accessories:

Sampling chamber, lifting station, Remote control system, *TeleControl*, *SonicControl* level sensing system

Grease separator Euro Auto Mix & Pump (PV+S) NS ...

with program-controlled disposal and rinsing device and Shredder-Mix-System, according to Euro Norm EN 1825 and DIN 4040, non-recycled polyethylene, pumping capacity 3.0 kW.

5 m cable length

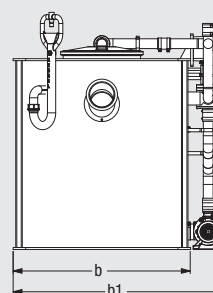
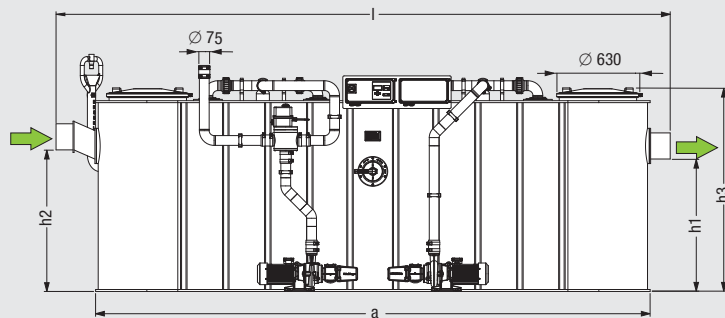
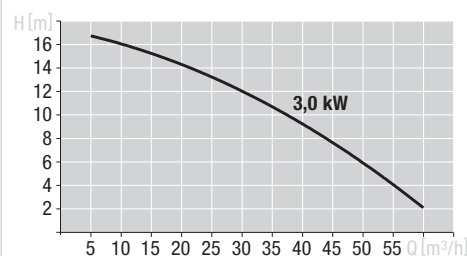
For free-standing installation in frost-protected areas, with integrated sludge trap and sloped surfaces for fast and clean disposal, with two domed covers made of polymer, with quick-release closures, sealed odour-tight, with suction device installed for the joint disposal of contents of sludge trap and grease separator chamber, intake pipe 75 mm OD PN 10 in accordance with DIN 2501, Storz-B coupling R 2 1/2 for connection to the disposal vehicle.

KESSEL disposal system *PV+S* (program-controlled, fully automated) with switching distribution and actuator valve, mixing and rinsing device via jet and conic nozzles, external pump(s) 3.0 kW (IP55, 400 V, 50 Hz) with integrated chopping mechanism and closure valve, cable length 5m, control unit for actuating the pump(s) with potential-free contact, 2 solenoid valves 1", with refill inlet in accordance with DIN 1988, viewing window with wiper. Inlet and outlet \varnothing 200 mm for the connection to PE-HD pipes according to DIN 19537, HT pipes according to DIN 19560, PP or AS.

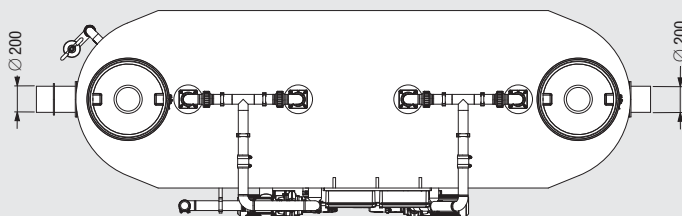
Model type: Right, can be changed to the left-hand model type by replacing the inlet and outlet connecting pipes.

without *SonicControl*

NS 15	93 015.01/PVS
NS 20	93 020.01/PVS
NS 25	93 025.01/PVS
NS 30	93 030.01/PVS



\varnothing = Outer diameter
b1 = Set-up dimensions



Technical note see page 283

Nominal size	\varnothing	a	Installation dimensions				b1	h1	h2	h3	Sludge	Grease	Total (including water)
			l	x	b								
NS 15	200	3300	3560		1350	1620	1130	1200	1625	1500 l	600 l	2600 l	
NS 20	200	4250	4510		1350	1620	1030	1100	1525	2000 l	800 l	3370 l	
NS 25	200	4500	4760		1350	1620	1030	1100	1525	2500 l	1000 l	3700 l	
NS 30	250	4600	4860		1350	1620	1170	1240	1625	3000 l	1200 l	4370 l	