

Sediment separators for free installation / for underground installation

Sediment separators for free-standing installation

NS 1 - NS 2

Illustration	Article description	NS	Weight	Article #
	Sediment separator NS ... <input type="checkbox"/> For free installation in frost protected areas With removable polymer collection tank(s), polymer inlet cover and outlet odour trap, sealed with odour-tight domed cover. Inlet/outlet \varnothing for plastic adapter DIN 19534.	NS 1	17 kg	97 201/000
		NS 2	50 kg	97 202/000

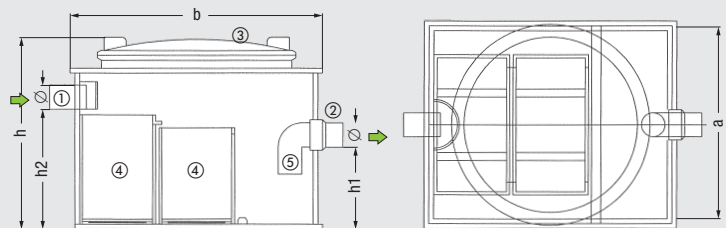
Delivery:
System completely assembled.

Delivery scope:
Tank with domed cover and removable collection tank(s)
NS 1: 1 collection tank
NS 2: 2 collection tank

Further nominal sizes on request.

III. shows NS 2


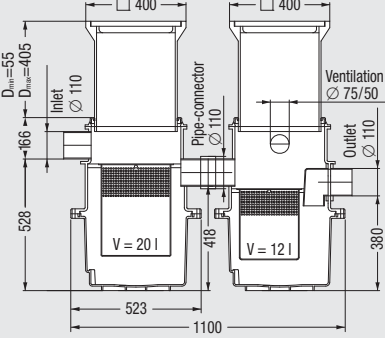
- ① Inlet
- ② Outlet
- ③ Domed cover
- ④ Collection tank
- ⑤ Odour trap



NS	\varnothing	a	b	h	h1	h2	Volume collection tank (in litres)
NS 1	50	400	570	470	195	305	13
NS 2	70	650	800	596	255	373	51

Sediment separators for underground installation

NS 1 - NS 2

Illustration	Article description	NS	Weight	Article #
	Sediment separator \varnothing 400 NS ... <input type="checkbox"/> according to KESSEL factory standard For underground installation With detachable collection tank (hole diameter 5 mm), outlet odour trap. Vertically adjustable upper section with cover class A/B/D, odour-tight seal. Inlet/outlet \varnothing 110 for plastic adapter DIN 19534.			
	Delivery: System completely assembled. Options: Inlet/outlet \varnothing = 40, 50, 75 mm Stainless steel bucket with hole diameter: 3, 6, 8, 10, 12, 15 mm Optional fine filter (mesh width 1.0 mm)			