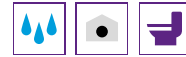


# Lifting station *Aqualift F XL Mono / Duo* 200 liter tank volume

for free-standing installation in frost-free rooms



**Tank volume:** 200 liters  
**Pump volume:** 120 liters

### Polyethylene storage chamber

with clean-out opening. Spigots for vertical inlet  $\varnothing$  110 mm/160 mm, ventilation  $\varnothing$  75 mm and for manual diaphragm pump  $\varnothing$  32 mm. Horizontal inlet  $\varnothing$  50 mm to  $\varnothing$  200 mm by sawing.

### Pumps

Pressure sensor controlled single or twin wastewater *SPF* pumps with multi-vane impeller to pump wastewater with or without sewage (open channel passage 40 mm). Pump is rated submersible (IP 68), pump cable length 5 m. With sound-absorbing underlay mat (10 mm thick).

**Vertical/ horizontal outlet** with integrated non-return valve, with/without closure valve (provided loose), with hose section or flange.

### Pressure outlet:

vertical  $\varnothing$  110 without closure valve, horizontal  $\varnothing$  110 with plastic closure valve or vertical DN 80 with cast iron closure valve

### Comfort control unit

with mains power ON / OFF switch and multilingual digital display (EN, DE, FR, IT, PL, NL) showing current operational status, settings and logbook; control unit is splash proof (IP 54), wall mounted, voltage 230 V or 400 V at 50 Hz. With potential-free/BMS contact (optional 230 V).

➤ **Accessories:** page 136

### Pumping capacity

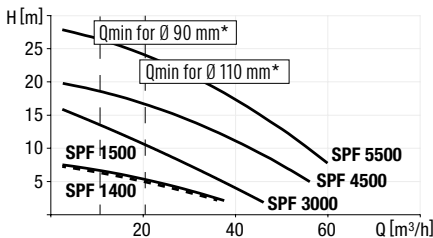


Illustration shows Duo version with plastic closure valve

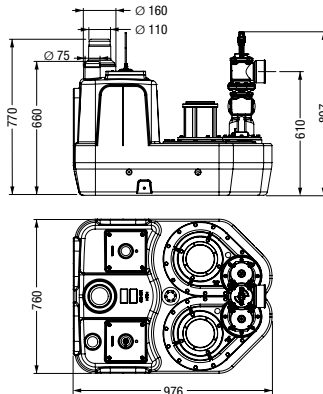
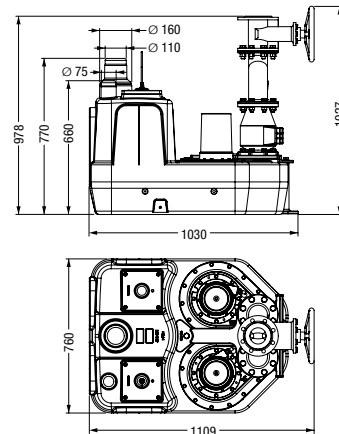


Illustration shows Duo version with cast iron closure valve



### Mono version with one pump

SPF pump	Voltage	without closure valve	with plastic closure valve	with cast iron closure valve
		Art. no.	Art. no.	Art. no.
1400-S3	230 V	11 000	11 002	-
1500-S3	400 V	11 018	11 020	-
3000-S3	400 V	11 036	11 038	-
4500-S3	400 V	11 059	-	11 061
5500-S3	400 V	11 072	-	11 074

### Duo version with two pumps

SPF pump	Voltage	without closure valve	with plastic closure valve	with cast iron closure valve
		Art. no.	Art. no.	Art. no.
1400-S3	230 V	11 001	11 003	-
1500-S3	400 V	11 019	11 021	-
3000-S3	400 V	11 037	11 039	11 043
4500-S3	400 V	-	-	11 062
5500-S3	400 V	11 073	-	11 075
1400-S1	230 V	11 085	11 086	-
1500-S1	400 V	11 095	11 096	-
3000-S1	400 V	11 105	11 106	11 108
4500-S1	400 V	11 120	-	11 121

### Pump type

	Input Power (P1)	Power (P2)	Voltage	Amperage	Weight	Pumping capacity	Pumping height
SPF 1400-S1/S3-100/50*	1.6 kW	1.1 kW	230 V	7.3 A	99 kg	38 m³/h	7 m
SPF 1500-S1/S3-100/50*	1.4 kW	1.1 kW	400 V	2.7 A	98 kg	40 m³/h	8 m
SPF 3000-S1/S3-100/50*	3.2 kW	2.7 kW	400 V	5.4 A	188 kg	47 m³/h	16 m
SPF 4500-S1/S3-100/50*	4.5 kW	3.7 kW	400 V	7.5 A	189 kg	55 m³/h	20 m
SPF 5500-S3-30*	5.7 kW	4.7 kW	400 V	9.1 A	211 kg	60 m³/h	27 m

\*Definition of S1 and S3-pumps see page 95



CE EN 12050-1