

Lifting station *Aqualift F XL Duo* 300 liter tank volume for free-standing installation in frost-free rooms



Tank volume: 300 liters
Pump volume: 175 liters

Polyethylene storage chamber

with clean-out opening. Spigots for vertical inlet \varnothing 110 mm/160 mm, ventilation \varnothing 75 mm and for manual diaphragm pump \varnothing 32 mm. Horizontal inlet \varnothing 50 mm to \varnothing 200 mm by sawing.

Pumps

Pressure sensor controlled twin wastewater SPF pumps with multi-vane impeller to pump wastewater with or without sewage (open channel passage 40 mm). Pump is rated submersible (IP 68), pump cable length 5 m. With sound-absorbing underlay mat (10 mm thick).

Vertical/ horizontal outlet with integrated non-return valve, with/without closure valve (provided loose), with hose section or flange.

Pressure outlet:

vertical \varnothing 110 without closure valve, horizontal \varnothing 110 with plastic closure valve or vertical DN 80 with cast iron closure valve

Comfort control unit

with mains power ON / OFF switch and multilingual digital display (EN, DE, FR, IT, PL, NL) showing current operational status, settings and logbook; control unit is splash proof (IP 54), wall mounted, voltage 230 V or 400 V at 50 Hz. With potential-free/BMS contact (optional 230 V).

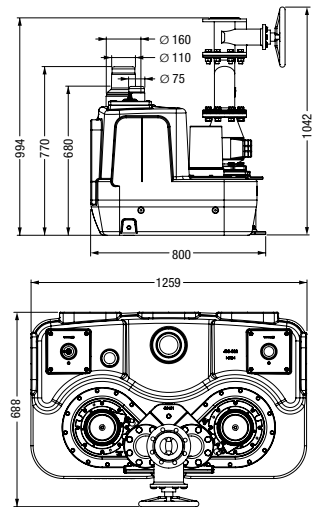
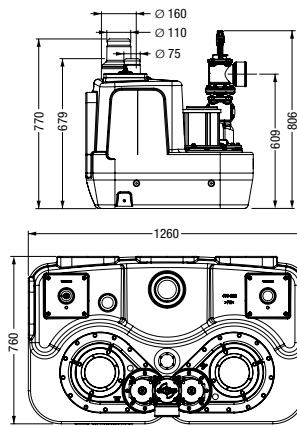
Accessories: page 136



Illustration shows Duo version with plastic closure valve



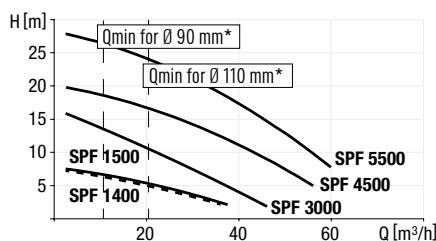
Illustration shows Duo version with cast iron closure valve



Duo version with two pumps

SPF pump	Voltage	without closure valve	with plastic closure valve	with cast iron closure valve
		Art. no.	Art. no.	Art. no.
5500-S3	400 V	11 078	-	11 080
1400-S1	230 V	11 090	11 091	-
1500-S1	400 V	11 100	11 101	-
3000-S1	400 V	11 110	11 111	11 113
4500-S1	400 V	11 123	-	11 124

Pumping capacity



Pump type	Input Power (P1)	Power (P2)	Voltage	Amperage	Weight	Pumping capacity	Pumping height
SPF 1400-S1-100%*	1.6 kW	1.1 kW	230 V	7.3 A	99 kg	38 m³/h	7 m
SPF 1500-S1-100%*	1.4 kW	1.1 kW	400 V	2.7 A	98 kg	40 m³/h	8 m
SPF 3000-S1-100%*	3.2 kW	2.7 kW	400 V	5.4 A	188 kg	47 m³/h	16 m
SPF 4500-S1-100%*	4.5 kW	3.7 kW	400 V	7.5 A	189 kg	55 m³/h	20 m
SPF 5500-S3-30%*	5.7 kW	4.7 kW	400 V	9.1 A	211 kg	60 m³/h	27 m

*Definition of S1 and S3-pumps see page 95

