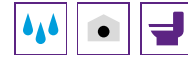


Lifting station *Aqualift F XL Duo* 450 liter tank volume

for free-standing installation in frost-free rooms



Tank volume: 450 liters
Pump volume: 250 liters

Polyethylene storage chamber

with air pressure level detector, clean-out opening. Spigots for vertical inlet Ø 110 mm/ 160 mm, ventilation Ø 75 mm and for manual diaphragm pump Ø 32 mm. Horizontal inlet Ø 50 mm to Ø 200 mm by sawing.

Pumps

Pressure sensor controlled twin wastewater *SPF* pumps with multi-vane impeller to pump wastewater with or without sewage (open channel passage 40 mm). Pump is rated submersible (IP 68), pump cable length 5 m. With sound-absorbing underlay mat (10 mm thick).

Vertical/ horizontal outlet with integrated non-return valve, with/without closure valve (provided loose), with hose section or flange.

Pressure outlet:

vertical Ø 110 without closure valve, horizontal Ø 110 with plastic closure valve or vertical DN 80 with cast iron closure valve

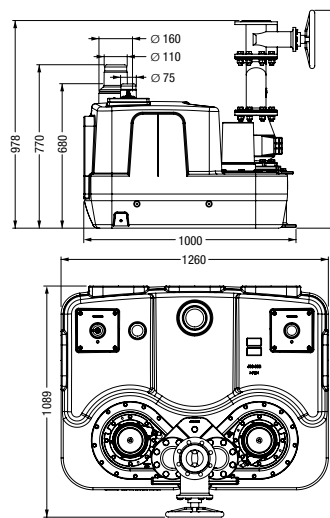
Comfort control unit

with mains power ON / OFF switch and multilingual digital display (EN, DE, FR, IT, PL, NL) showing current operational status, settings and logbook; control unit is splash proof (IP 54), wall mounted, voltage 230 V or 400 V at 50 Hz. With potential-free/BMS contact (optional 230 V).

➔ **Accessories:** page 136



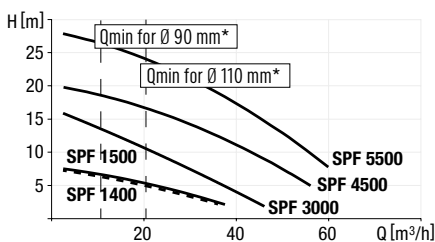
Illustration shows Duo version with cast iron closure valve



Duo version with two pumps

SPF pump	Voltage	without closure valve	with plastic closure valve	with cast iron closure valve
		Art. no.	Art. no.	Art. no.
3000-S3	400 V	11 054	11 055	11 057
4500-S3	400 V	-	-	11 070
5500-S3	400 V	11 082	-	11 083
3000-S1	400 V	11 115	11 116	11 118
4500-S1	400 V	11 126	-	11 127

Pumping capacity



Pump type

Pump type	Input Power (P1)	Power (P2)	Voltage	Amperage	Weight	Pumping capacity	Pumping height
SPF 3000-S1/S3-100/50%*	3.2 kW	2.7 kW	400 V	5.4 A	188 kg	47 m³/h	16 m
SPF 4500-S1/S3-100/50%*	4.5 kW	3.7 kW	400 V	7.5 A	189 kg	55 m³/h	20 m
SPF 5500-S3-30%*	5.7 kW	4.7 kW	400 V	9.1 A	211 kg	60 m³/h	27 m

*Definition of S1 and S3-pumps see page 95

