

## Grease separator *EasyClean* free Standard NS 15 – 30

for free-standing installation

### Tank

Manufactured from virgin, non-recycled polyethylene, for free-standing installation in frost-protected areas, with integrated sludge trap, two domed covers made of polymer, with quick-release closure, sealed odour-tight. Inlet and outlet  $\varnothing$  200 / 250 mm for the connection to PE-HD pipes according to DIN 19537, HT pipes according to DIN 19560, PP or AS.

### Disposal System

Standard version

**Delivery:** System completely assembled.

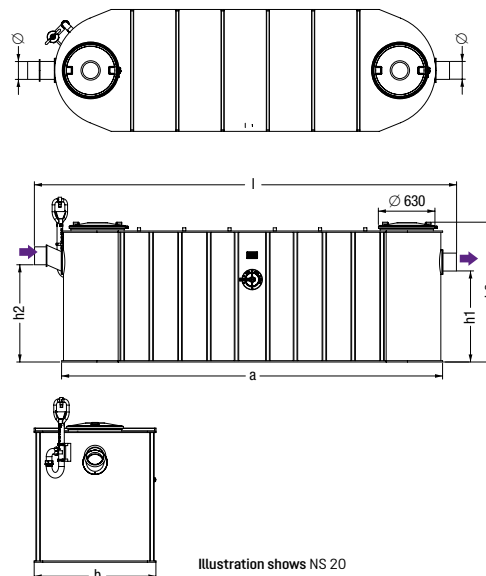
- **Accessories:** Inspection window and refill inlet, sampling chamber, retrofit sets up to Auto Mix & Pump from page 331 – 334; lifting stations see chapter "3"

- **Technical note** page 330



*without SonicControl*

NS	Art. no.
Without accessories	
NS 15	93 015.01
NS 20	93 020.01
NS 25	93 025.01
NS 30	93 030.01



NS	$\varnothing$	a	Installation dimension l × b	h1	h2	h3	Sludge trap	Water and sludge	Grease storage	Total (incl. water)
15	200	3300	3560 × 1350	1130	1200	1625	1500 l	1100 l	600 l	2600 l
20	200	4250	4510 × 1350	1030	1100	1525	2000 l	1370 l	800 l	3370 l
25	200	4500	4760 × 1350	1030	1100	1525	2500 l	1200 l	1000 l	3700 l
30	250	4600	4860 × 1350	1170	1240	1655	3000 l	1370 l	1200 l	4370 l