

## Accessories

Oil-/fuel separator / Coalescence separator for underground installation

### Sampling chamber Ø 400

for underground installation

#### Cover class A

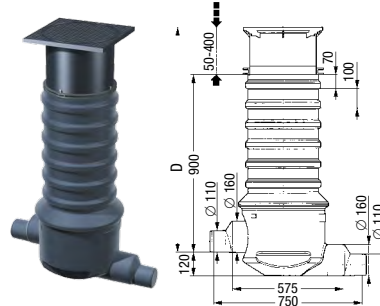
**Compatibility:** For connection to outlet pipe of separator

**Installation depth (D):** 400 – 1300 mm  
(minimum installation depth can be achieved by cutting off)

**Drop height:** 120 mm (160 mm on request)

**Inclusive:** Telescopic upper section with clamping ring, cover class A/B/D, sealed odour-tight

**Extension:** 600 mm  
with extension section Art. no. 915 402



In-/Outlet	Art. no.
Ø 110/160	915 880A
Ø 200	915 880A-200
Ø 110/160	915 880B
Ø 200	915 880B-200
Ø 110/160	915 880D
Ø 200	915 880D-200

#### Cover class B

#### Cover class D

### Extension section

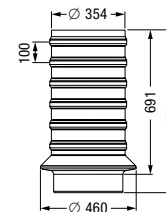
for underground installation

#### Extension section

**Compatibility:** For sampling chamber Ø 400 and Ø 450

**Extension height:** max. 600 mm (can be shortened on-site)

**Check maintenance accessibility!**



Art. no.

915 402

### SonicControl level sensing system

for oil / coalescence separators from NS 3

#### Oil layer thickness and back-up / overflow warning

**Inclusive:** Ultra sonic sensor for centimeter accurate monitoring and display of oil / fuel layer thickness along with backwater / flooding alarm; ATEX certification; power connection, battery back up, connection for remote speaker

**Voltage:** 230 V ~ 50 Hz

**Protection type:** IP 54

**Plug:** Schuko (double pole)

**Cable length:** 30 m with cable duct set. The sensor cable can be extended to a total length of 60 m. Cable extension set see below

**Certification:** BVS 11 ATEX E 040 X

- Sensor can be used in explosive areas (Zone 0)
- Acc. to RL 2014/34/EU designed in ignition protection class „Intrinsic safety“

#### Oil layer thickness

#### back-up / overflow warning



Type Art. no.

0A 917 826

0 917 828

A 917 830

### Cable extension set for SonicControl

for oil / coalescence separators

#### 10 m extension

#### 20 m extension

#### 30 m extension



Art. no.

917 861

917 862

917 863